

DESK

1 DRAWER DESK WITH SHELF (1100 & 1400mm WIDE)

2 DRAWER DESK (1100 & 1400mm WIDE)

Assembly Instructions

- | | |
|------------------------------------|---|
| A Desktop | N Drawer side (right) |
| B Back panel | O Drawer front |
| C Side panel (right) | P Drawer base |
| D Side panel (left) | Q Drawer side (left) |
| E Mid shelf | R Drawer back |
| F Base shelf | S Soft close drawer runners |
| G Metal infill strip(s) | T Cable outlet (top) |
| H Drawer infill panel(s) | U Cable outlet (side)
<small>(1 drawer desk only)</small> |
| I Plinth panel | |
| J Desk support rail (back) | |
| K Desk support rail (front) | |
| L Lower desk support rail | |
| M End support panel | |

CARCASS FIXINGS

1



Euro screws

2



Cams

3



Wooden dowels

4



Dowels

5



Wall mounting brackets

6



Glue*

DRAWER FIXINGS

7



Dowels

8




Wooden dowels

9




Cams

RECOMMENDED:

- Tools: Pozidrive screwdriver
- Two person build 

*A drop of glue needs to be added into all holes the wooden dowels are placed into (items 3 & 8).

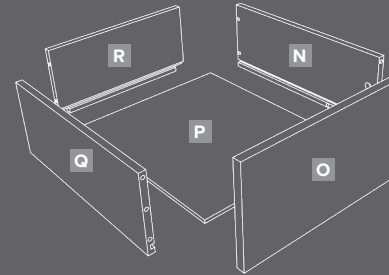
 **We recommend you use the Wall Mounting Brackets provided to fix the Desk to a wall (where possible). This will prevent the unit being pulled over. Use suitable wall fixings. Don't worry if some fixings are left over. We have provided enough fixings for all our products, where some take less.**

DESK

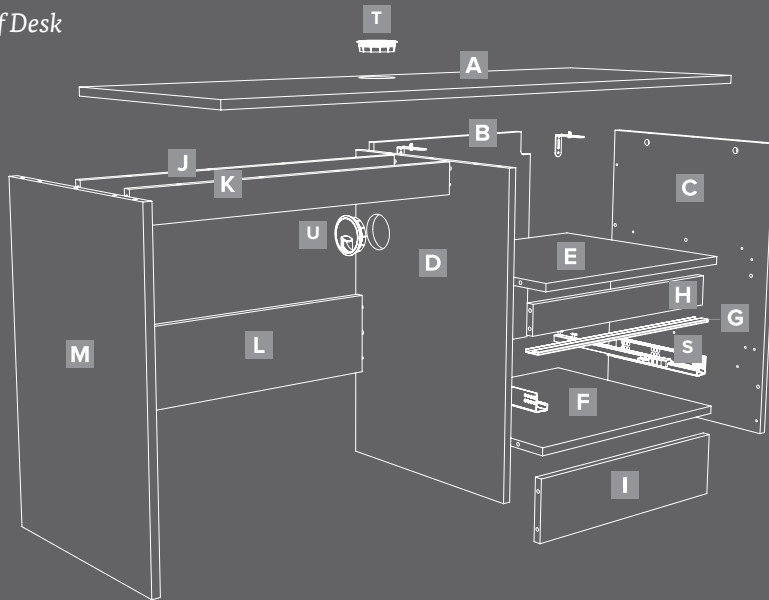
1 DRAWER DESK WITH SHELF (1100 & 1400mm WIDE)

2 DRAWER DESK (1100 & 1400mm WIDE)

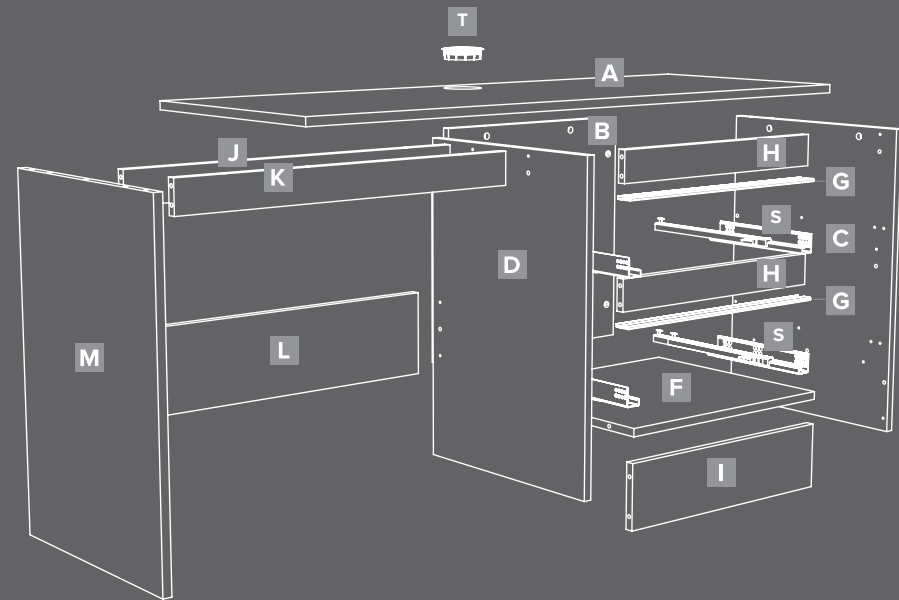
Drawers



Single Drawer and Shelf Desk

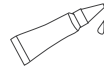


2 Drawer Desk

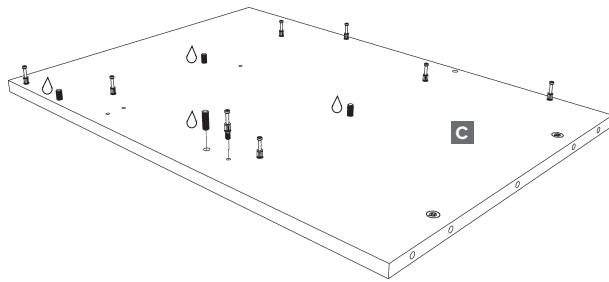


PLEASE NOTE ALL DESKS ARE THE SAME IN CONSTRUCTION. WE HAVE USED THE 1400MM 1 DRAWER IN THE FOLLOWING VISUALS (UNLESS OTHERWISE STATED).

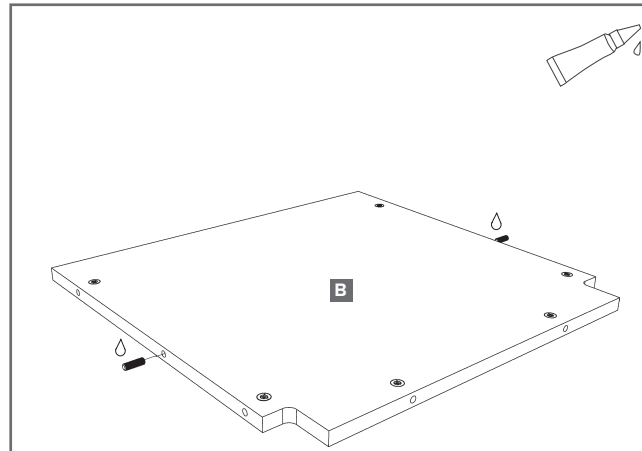
NOTE: All desks are the same in construction. We have used the 1400mm 600mm 1 drawer in the following visuals (unless otherwise stated).



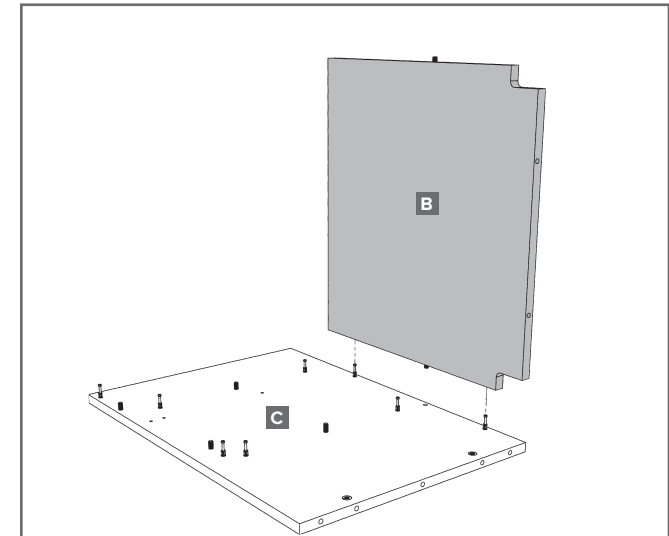
NOTE: Right-hand panel shown.



1 Insert cams (2), wooden dowels (3) & dowels (4) into side panel (C).

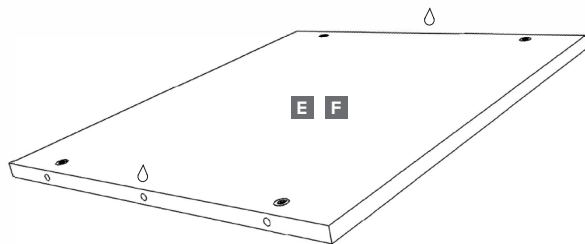
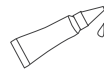


2 Insert cams (2) & wooden dowels (3) into back panel (B).



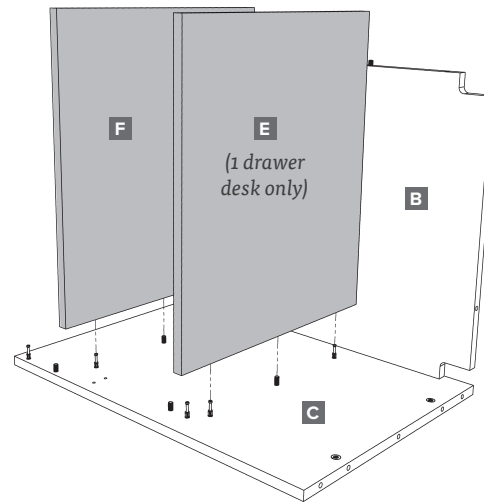
3 With the side panel (C) on the floor attach the back panel (B) to form a corner.

NOTE: 'E' is for 1 drawer desk only.



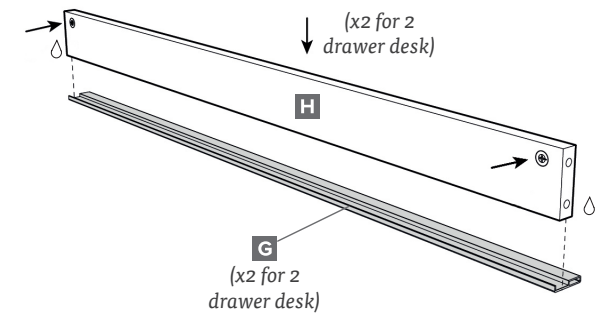
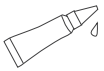
4 Insert cams (2) into mid shelf (E), base shelf (F) and plinth (I). Add glue to the middle holes on the sides.

NOTE: 'E' is for 1 drawer desk only.



5 Insert mid shelf (E) and base shelf (F) to side panel (C) as shown.

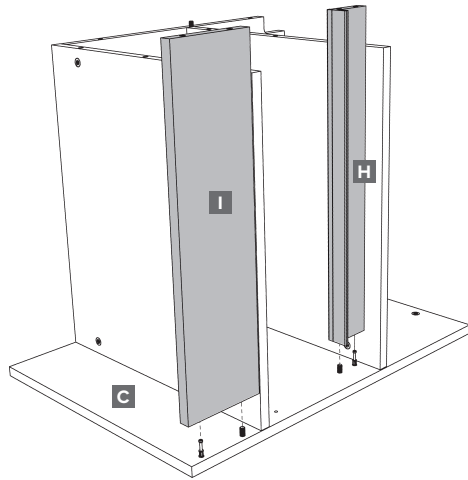
NOTE: If you have the 2 drawer desk option, you will need to repeat this process, so that you have x2 of 'H' & 'G'.



6 Insert cams (2) into drawer infill(s) (H). Lay metal infill strip (G) on the a flat surface and remove the film from the tape. Attach panel (H) making sure to align the sides.

PLEASE NOTE ALL DESKS ARE THE SAME IN CONSTRUCTION. WE HAVE USED THE 1400MM 1 DRAWER IN THE FOLLOWING VISUALS (UNLESS OTHERWISE STATED).

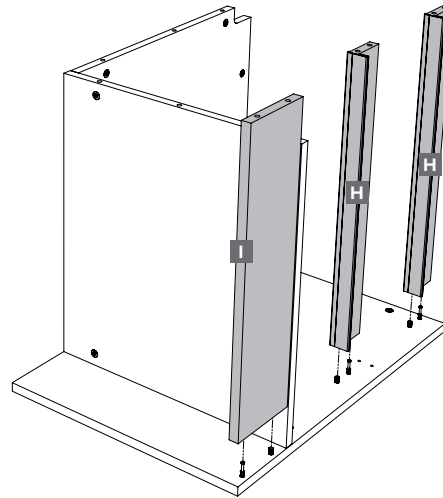
1 Drawer Desk



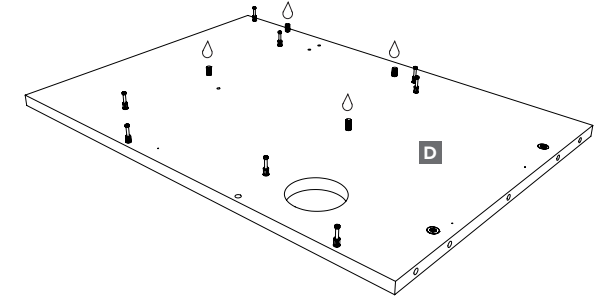
7

Add the drawer infill(s) from step 6 to the side panel (C) along with the plinth (I).

2 Drawer Desk

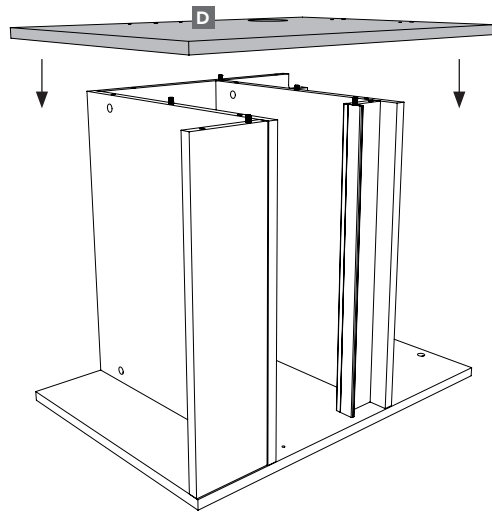


NOTE: Single drawer and shelf shown here.



8

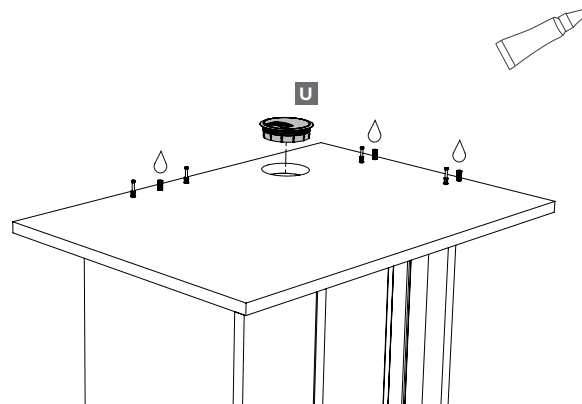
Insert cams (2), wooden dowels (3) & dowels (4) into side panel (D).



9

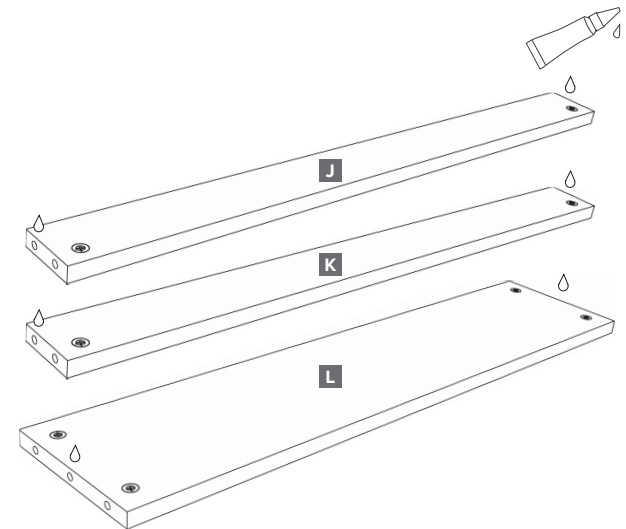
Attach the side panel (D) to the other components already assembled

FOR 1 DRAWER DESK ONLY - CABLE OUTLET



10

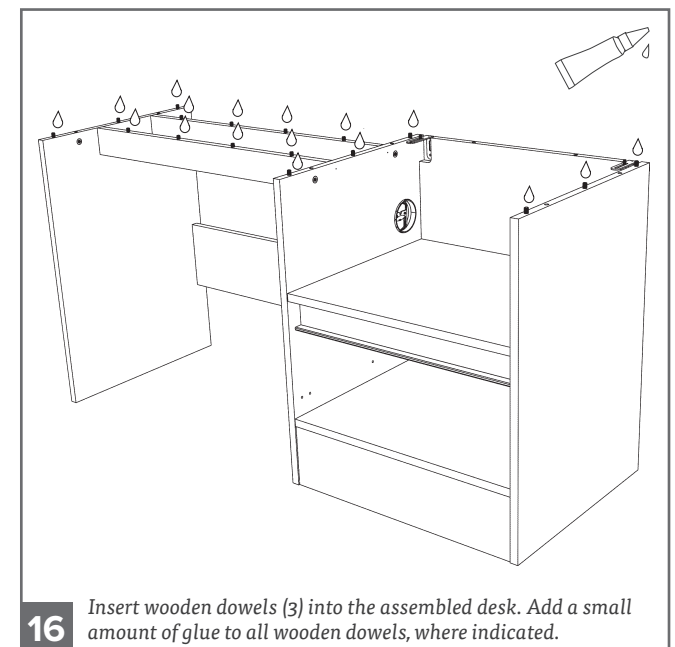
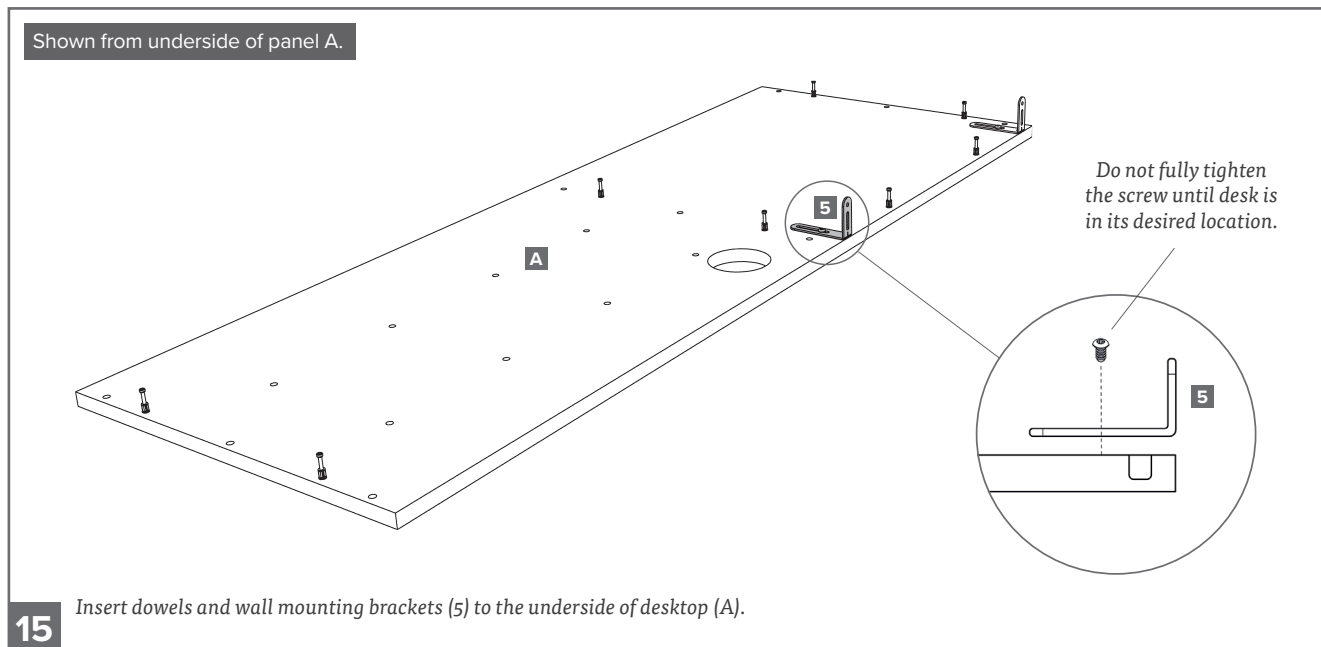
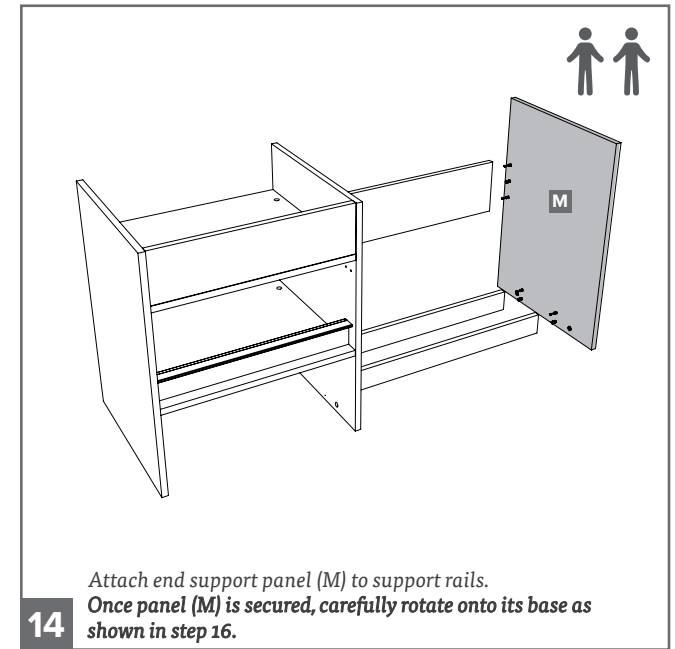
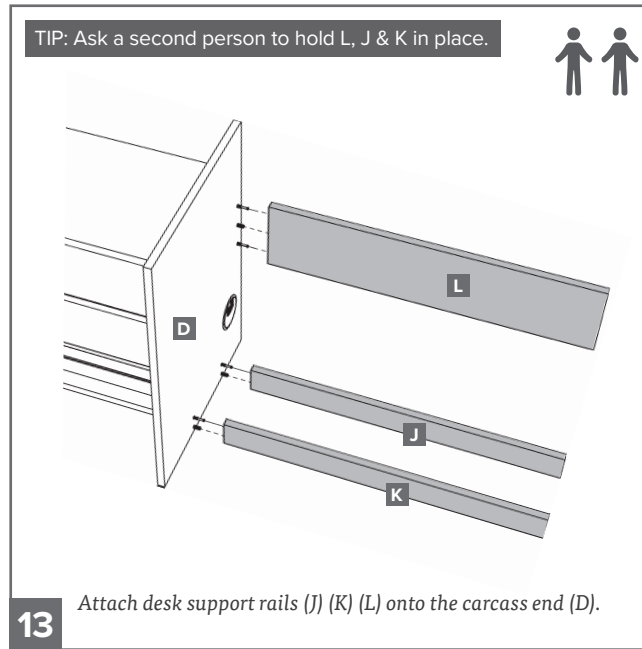
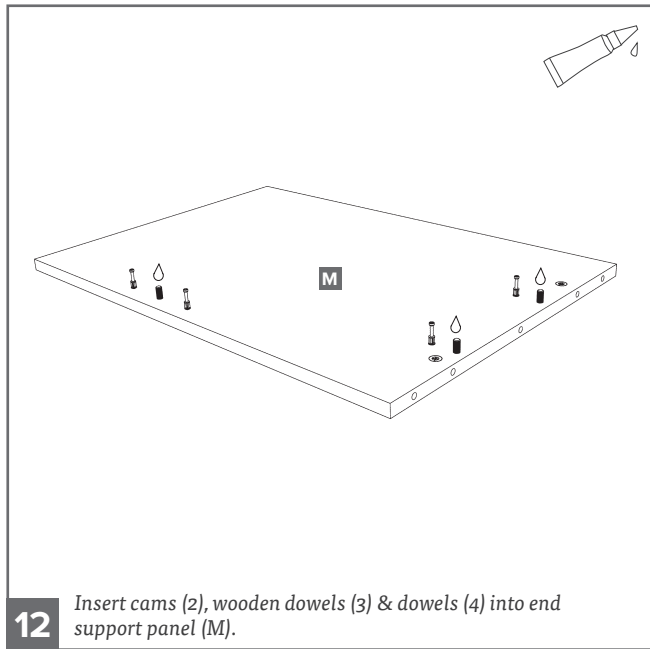
Place the cable outlet (U) into the outer end of the side panel, this push fits into the hole shown. Insert wooden dowels (3) & dowels (4) into the side panel (D) as shown.



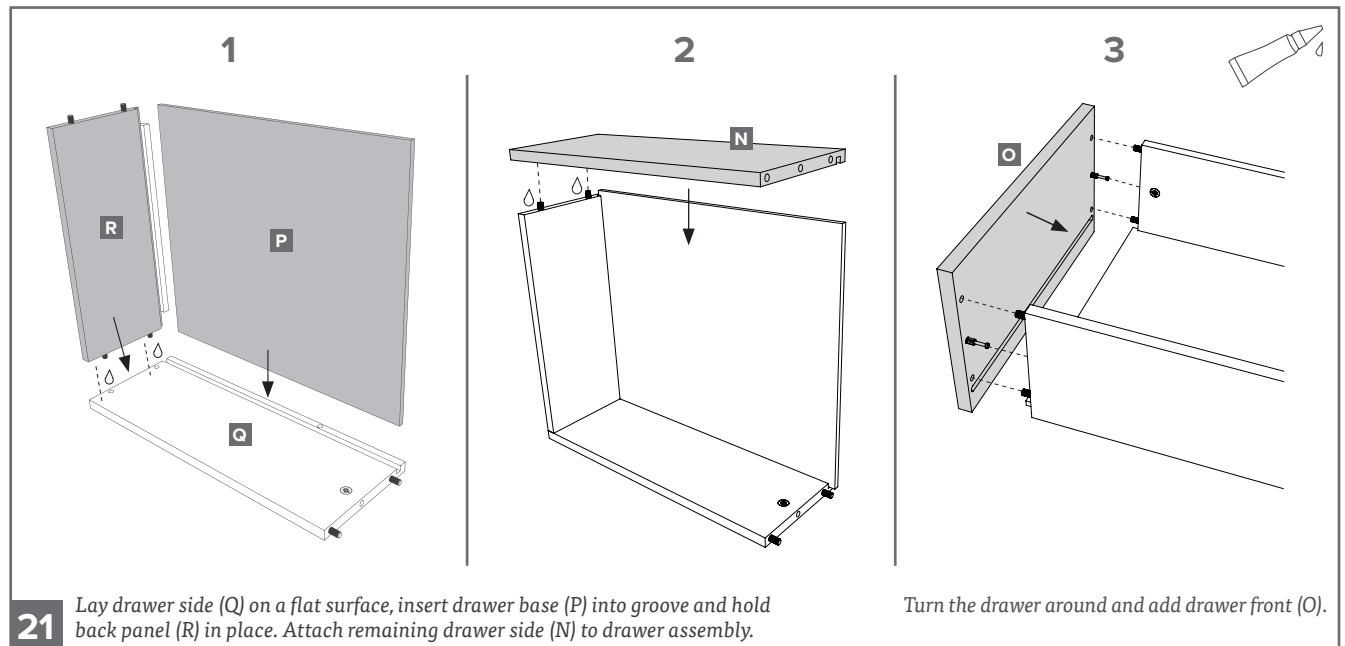
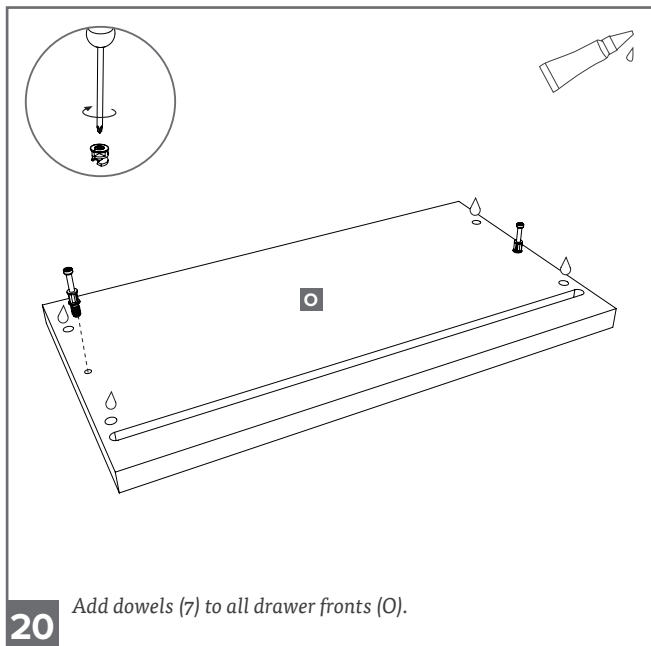
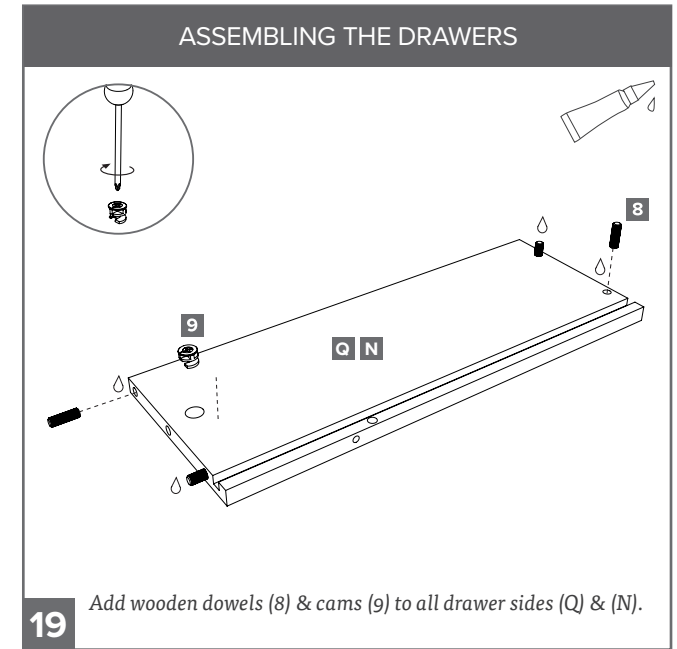
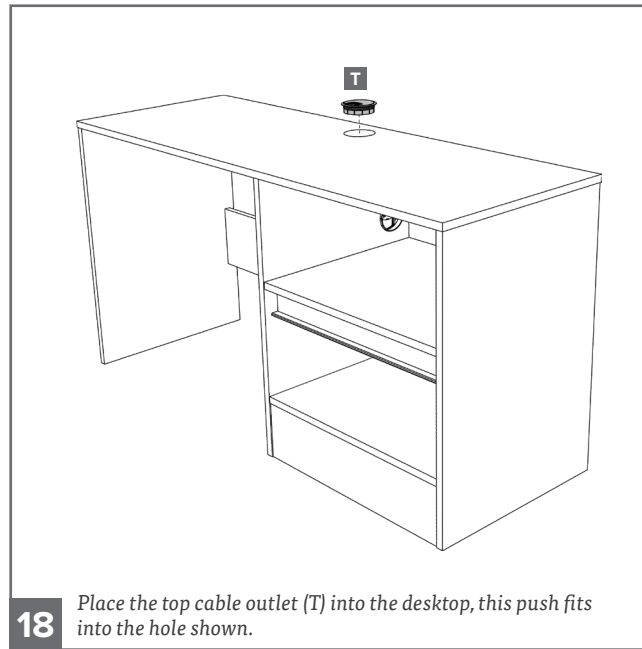
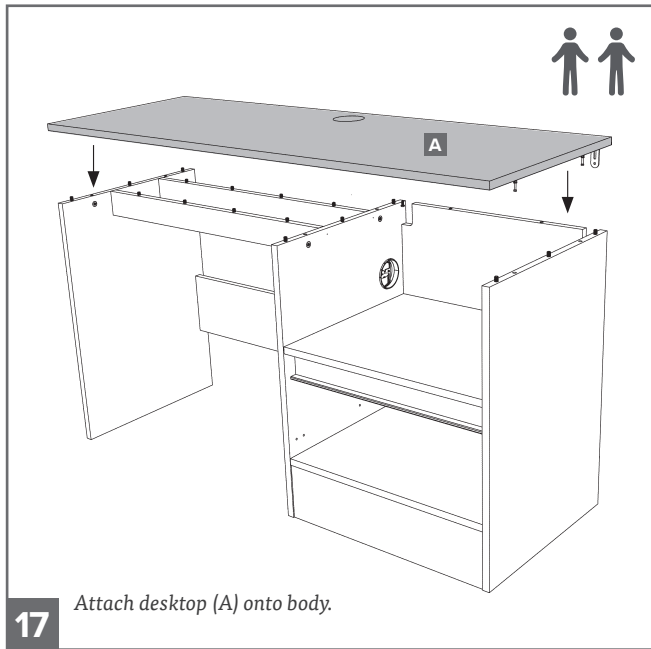
11

Insert cams (2) into desktop support rails (J) & (K) and lower desk support rail (L). Add glue to holes on sides of panels where indicated.

PLEASE NOTE ALL DESKS ARE THE SAME IN CONSTRUCTION. WE HAVE USED THE 1400MM 1 DRAWER IN THE FOLLOWING VISUALS (UNLESS OTHERWISE STATED).

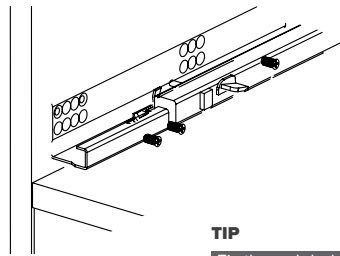


PLEASE NOTE ALL DESKS ARE THE SAME IN CONSTRUCTION. WE HAVE USED THE 1400MM 1 DRAWER IN THE FOLLOWING VISUALS (UNLESS OTHERWISE STATED).



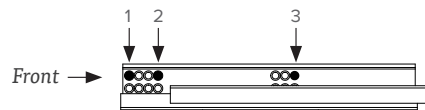
PLEASE NOTE ALL DESKS ARE THE SAME IN CONSTRUCTION. WE HAVE USED THE 1400MM 1 DRAWER IN THE FOLLOWING VISUALS (UNLESS OTHERWISE STATED).

NOTE: 2x runners for 1 drawer desk,
4x runners for 2 drawer desk.

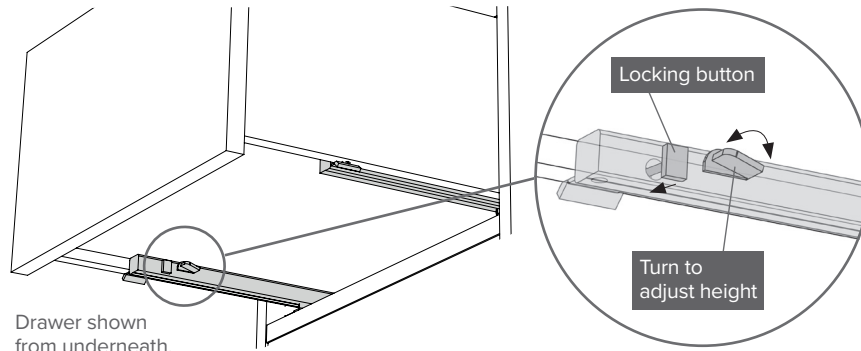


TIP

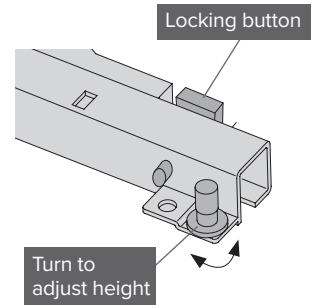
Fix through holes highlighted



22 Insert euro screws (1) into holes shown above. Attach runners to both sides of unit.



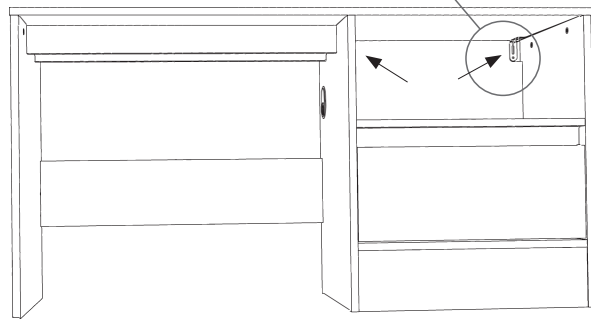
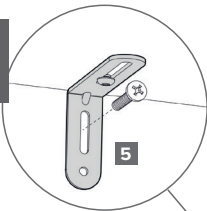
Drawer shown from underneath.



IF an 'Adjustment knob' is not featured on the runners. Rotate the 'Flat wheel' to adjust the height of the drawer(s).

23 A - Pull sliding part of lower drawer runners out and sit drawer assembly on top. While holding runners in place, slide drawer assembly back until it clicks. Your drawer should now be attached to the runners.
B - Pull the drawer(s) back out and push in the 'Locking button' to lock the drawer onto the drawer runner.
C - Turn the knob to adjust the height of the drawer and the alignment with the unit and other drawers.

Use suitable wall fixings (not supplied)



24 Once the desk is in its desired location, slide the brackets back towards the wall and fix (using suitable wall fixings).

A GUIDE TO FIXINGS



Wall & Ceiling Fixings: You must first identify the type of wall or ceiling you intend to fix product onto and then contact your local hardware store if the fixings supplied are not suited to your wall or ceiling type. Care and Maintenance: Safety: Always check the fitting and location to ensure your safety in and around the home. Fitting: From time to time check the fitting to ensure the wall plugs or screws do not become loose.

IMPORTANT NOTE: When drilling into walls always check that there are no hidden wires or pipes etc. Make sure that the screws and plugs being used are suitable for supporting your unit. Always consult a qualified trades person if you are unsure.

Tips: 1. Ensure you use the recommended drill bit to match the wall plug and hole size.

Tips: 2. Ensure you drill the hole straight, do not force the drill or enlarge the hole.

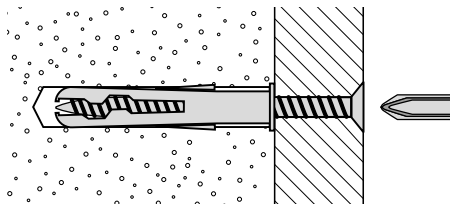
Tips: 3. Take extra care when drilling high walls, ceilings and ceramic tiles. Ensure wall plugs are inserted beyond the thickness of the ceramic tiles to avoid the tiles splitting or cracking.

Tips: 4. Ensure wall plugs are well fitted and are a tight fit in the drilled hole.

Types Of Structures:

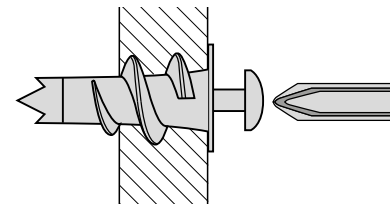
You can use one of the following types of wall plug if your walls are made of brick, breeze block, concrete, stone or wood.

1: General Purpose / Concrete or Block Work wall plug. NOT supplied.



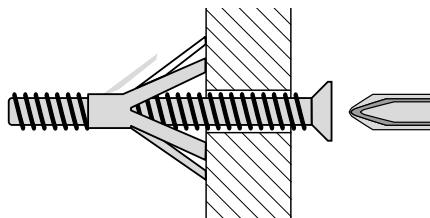
Generally aerated blocks should not be used to support heavy loads, use a specialist fitting in this case. For light loads, general purpose wall plugs can be used.

2: Plasterboard wall plug. NOT supplied.



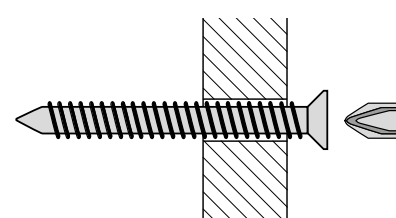
For use when attaching light loads on to plasterboard partitions.

3: Cavity Fixing wall plug. NOT supplied.



For use with plasterboard partitions or hollow wooden doors.

4: Wooden Structure. Screws provided.



If you know you are fixing directly into a wooden batten, the screws provided do not require a plug.